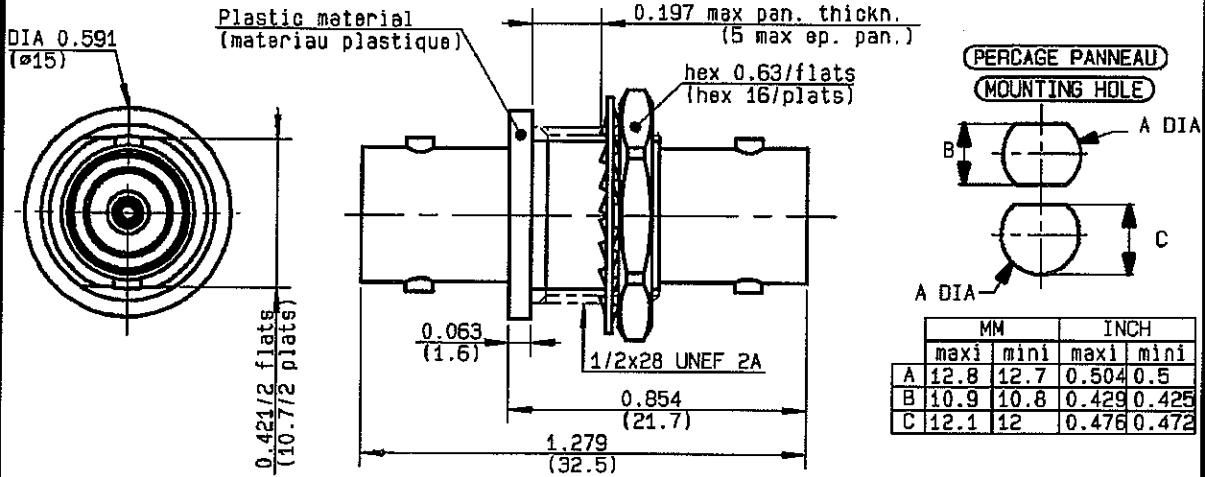


**INSULATED BULKHEAD
FEMALE-FEMALE ADAPTOR**

R142.723.000
SERIES **BNC 75**



NOMINAL IMPEDANCE	75 Ω
FREQUENCY RANGE	0-1.5 GHz
TEMPERATURE RATING	-65/+165 °C
V.S.W.R	1.30 + 0 x F(GHz)Maxi
RF INSERTION LOSS	0.115 \sqrt{F} (GHz) dB Maxi
VOLTAGE RATING	500 Veff Maxi
DIELECTRIC WITHSTANDING VOLTAGE	1500 Veff Mini
INSULATION RESISTANCE	5000 M Ω Mini
HERMETIC SEAL	NA Atm.cm ³ /s
LEAKAGE (pressurized only)	NA
MECHANICAL DURABILITY	500 Cycles
WEIGHT	12 gr

CABLES :

OTHERS CHARACTERISTICS

CABLE RETENTION	NA N Mini
CENTER CONTACT RETENTION	
Axial force - mating end	18 N Mini
Axial force - opposite end	18 N Mini
Torque	NA cm.N Mini
RECOMMENDED TORQUES	
Mating	NA cm.N
Panel nut	370 cm.N
Clamp nut	NA cm.N

CONNECTOR PARTS	MATERIALS	FINISH	(all values are given in micrometers)
BODY	BRASS	NICKEL 2	
OUTER CONTACT			
CENTER CONTACT	BERYLLIUM COPPER	GOLD 0.5 OVER NICKEL 2	
INSULATOR	PTFE	-	
GASKET		-	
OTHERS PIECES	BRASS	NICKEL 2	

ISSUE
0628 B

CREATION DATE
20/01/1997

FILE PART-NUMBER
96-1000-022



RADIALL®

LELEU

The information given here is subject to change without notice.
Design changes may be in order to improve the product.

Connect to the future